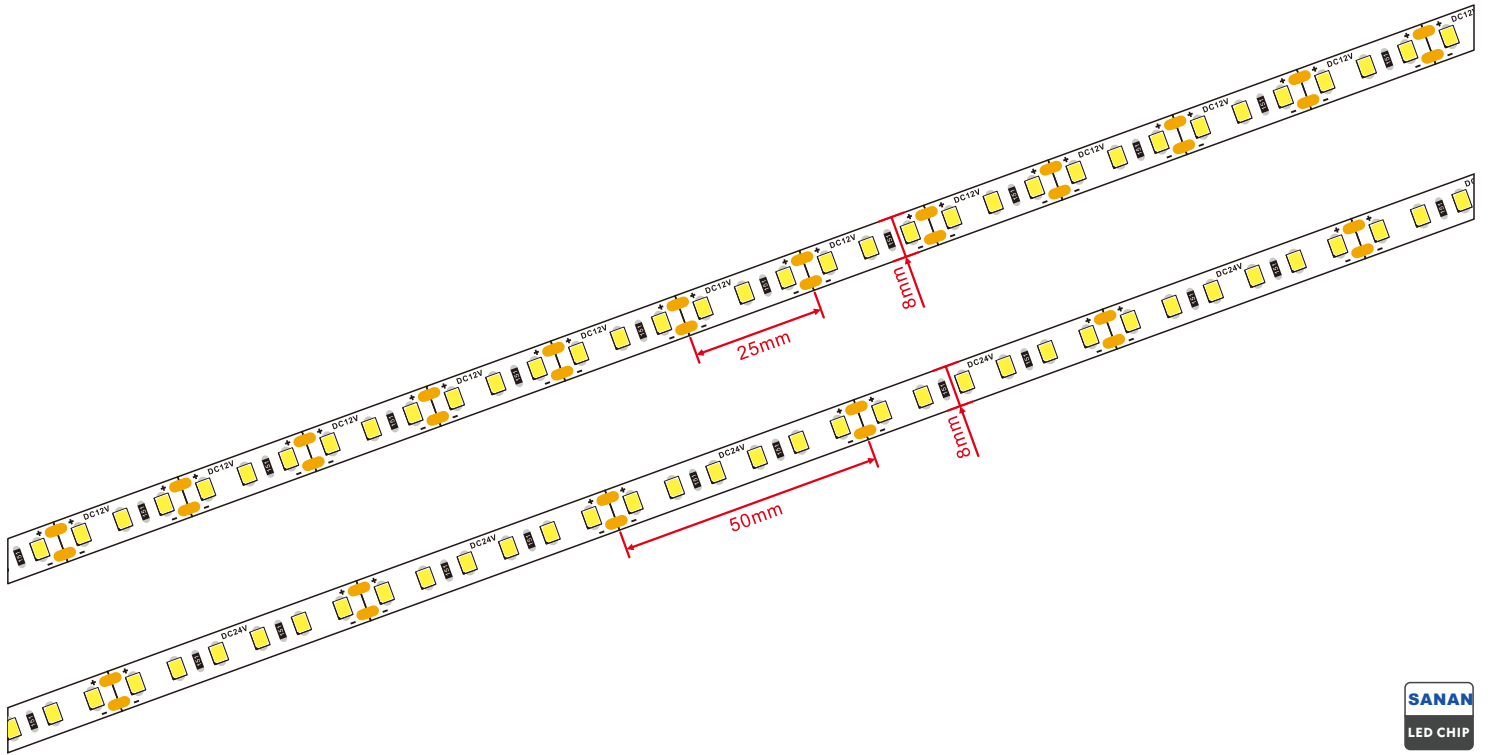




BF3528120



This product is based on our most popular High Quality SAN'AN 3528 SMD LED. This version offers an excellent combination of high light output with a strong colour to provide outstanding results. Available in all three primary colours plus green, blue, red, yellow/amber to cover most requirements. Supplied in 12V and 24V DC as standard for more accurate cut lengths. Bin control for led color to ensure consistent color throughout all of your orders.

PRODUCT FEATURE & BENEFITS

- ◆ Always using double-layer FPCB, mounted with high quality led Chips
- ◆ Low power requirement & Energy Efficient
- ◆ High color rendering RA > 80 & RA > 90 & RA > 95
- ◆ High-performance FPCB & LED for extremely long life
- ◆ Available in IP20, IP54, IP62, IP65, IP68 rating
- ◆ Great design freedom thanks to flexibility and cuttability of module
- ◆ Easy mounting on many smooth surfaces thanks to self-adhesive tape at the back

PRODUCT CODE

BF	3528	120	L1	80	S	8	2	65	20
3528 - SMD3528 LED	120 - 120 LEDs/m	L1 - 12V DC L2 - 24V DC	80 - RA>80 90 - RA>90 95 - RA>95	E - EPISTAR LED S - SAN'AN LED	8 - PCB Width 8mm	2 - PCB 2OZ 3 - PCB 3OZ 4 - PCB 4OZ R - PCB 2OZ (Rolled Copper)	65 - 6500K 40 - 4000K 30 - 3000K 27 - 2700K RE - Red GR - Green BL - Blue YE - Yellow PI - Pink PU - Purple OR - Orange	20 - IP20 54 - IP54 62 - IP62 65 - IP65 68 - IP68	

TECHNICAL DATA

LED Brand	SAN'AN LED
Normal Voltage	12V / 24V DC
Normal Current per Meter	0.8A/m (12V DC) / 0.4A/m (24V DC)
Rated Wattage per Meter	9.6W/m
Type of Current	Direct Current / Constant Voltage
Light Color	See Form 1
Luminous Flux per Meter	1027 lm
Luminous Efficacy	107 lm/W
Color Rendering Index / RA	RA > 80/90/95
Length per Smallest Cutting Unit	25 mm (12V DC) / 50 mm (24V DC)
LED Number per Smallest Cutting Unit	3 LEDs (12V DC) / 6 LEDs (24V DC)
Length per roll for package	5 meters / 10 meters / 20 meters / 50 meters
Width of Printed Circuit Board	8 mm
Color of Printed Circuit Board	White / Black
Thickness of Printed Circuit Board	2 OZ / 3 OZ / 4 OZ
Double Side Adhesive Tape	3M
Temperature Range in Operation	-20°C 70°C
Temperature Range at Storage	-20°C 50°C
Dimmable	Yes
Type of Protection	IP20 / IP54 / IP62 / IP65 / IP68
Life Span	> 50000 Hours

* Testing environment temperature: 25±2°C

* The actual data of each single product may differ from above typical data which are subject to change without prior notice.

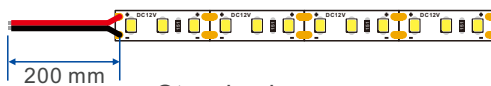
LIGHT COLOR

Form 1

LED Color	SAN'AN LED
White Color 7500K (75)	
White Color 6500K (65)	✓
White Color 5700K (57)	
White Color 5000K (50)	
White Color 4000K (40)	✓
White Color 3000K (30)	✓
White Color 2700K (27)	✓
White Color 2400K (24)	
White Color 2000K (20)	
Red Color (RE)	✓
Green Color (GR)	✓
Blue Color (BL)	✓
Yellow Color (YE)	✓
Pink Color (PI)	✓
Purple Color (PU)	✓
Orange Color (OR)	✓

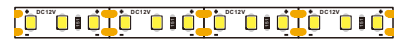
PRODUCT START/END OPTIONS

Soldered Wire

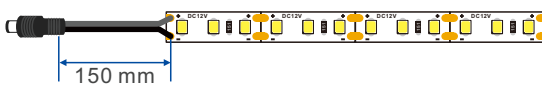


Standard

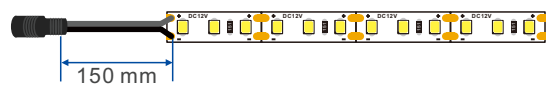
No Wire or connector



Soldered Male Connector



Soldered Female Connector



Soldered Male Two-Pin Connector



Soldered Female Two-Pin Connector

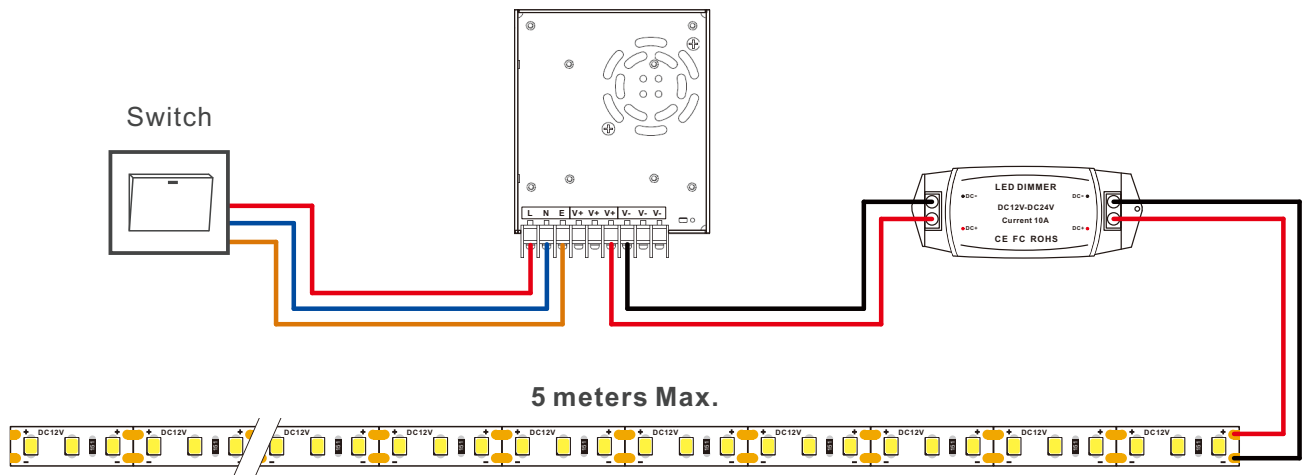


◆ The standard products are with soldered wire on both start and end section. For other options, please let us know before placing orders.

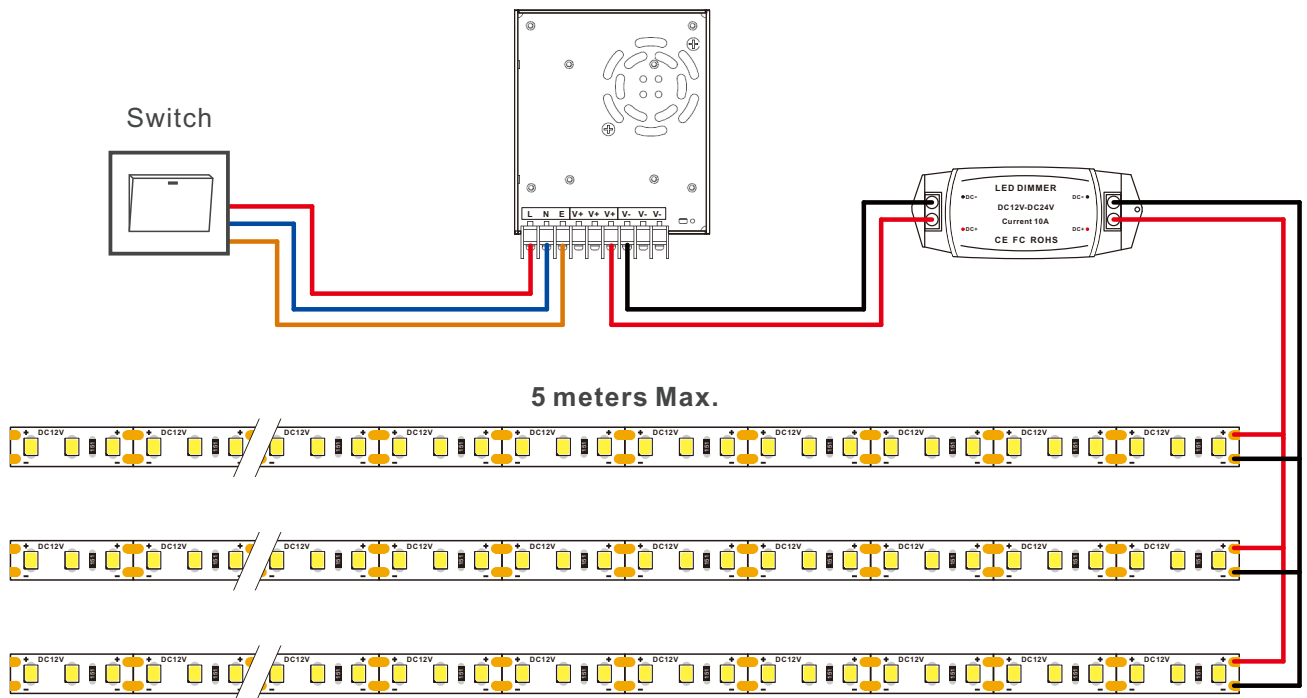
CONNECTIONS

LED Strip Lighting can be installed any number of ways, but there are few different ways to go about it depending on how you're using it. Check out the various configuration below:

1. CONNECTION IN SERIES

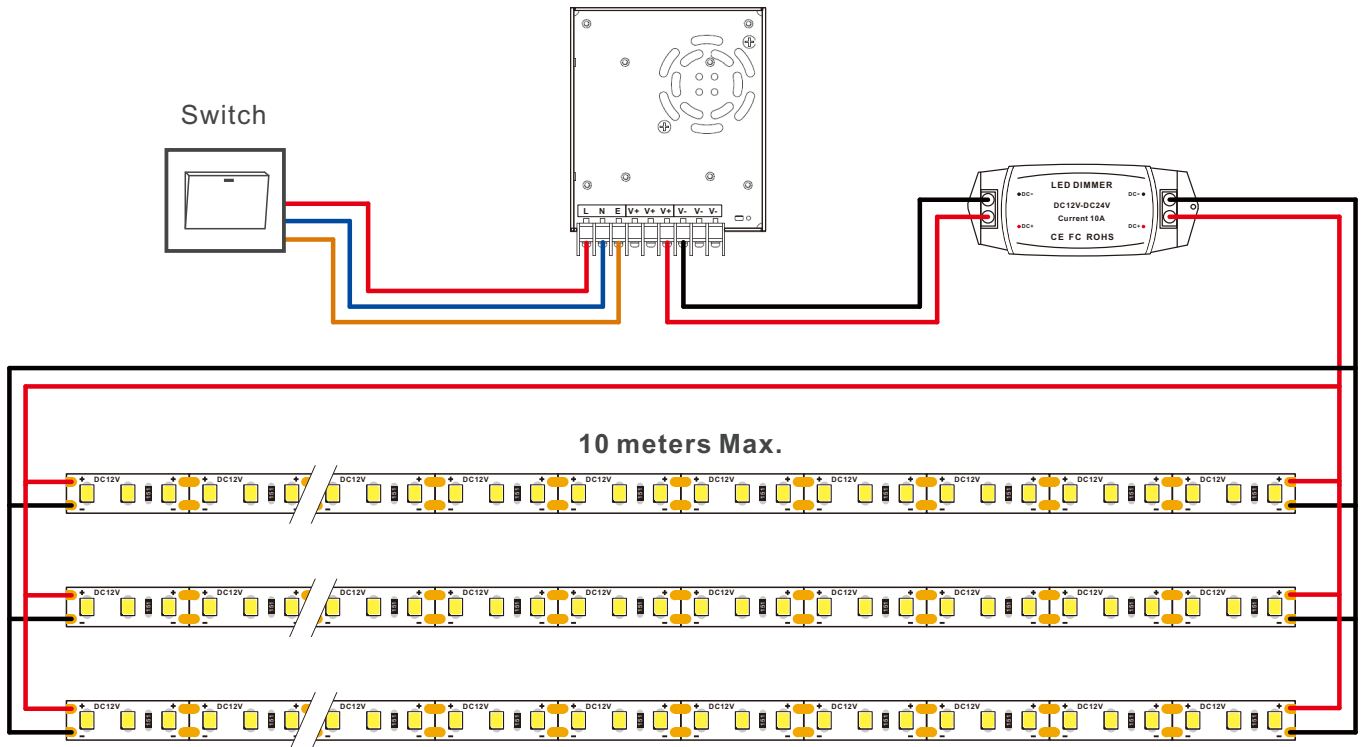


2. CONNECTION IN SERIES & PARALLEL



CONNECTIONS

3. CONNECTION IN SERIES & PARALLEL WITH LONG STRIPS



INSTALLATION INSTRUCTIONS

1. The mounting surface must be clean, dry and free from dust or grease.
2. Release the LED strip from the package and unreel.
3. Measure and cut the LED strip to the required length (only cut at the cut marks with power OFF).
4. Remove the 3M self-adhesive backing tape from the strip gradually during installation.
DO NOT remove it all at once to avoid the strip becoming entangled and sticking to itself.
5. Stick the LED strip to the mounting surface by pressing on the strip in between components only.
DO NOT press on the LEDs or other components on the strip.
6. You can use optional mounting clips to secure the strips at intervals.
7. Once the strip is affixed, it is then ready to be wired.

CAUTION - Twisting, pressing on LEDs, over-bending the strip, cutting at non-cut points, incorrectly powering the strip or exposing a standard strip (IP20) to water, particles or direct sunlight will invalidate the warranty.

SAFTY

1. Installation must be in accordance with local and national electrical code regulations.
2. To ensure safety and correct installation, our strips are intended to be installed by a licensed electrician.
3. Only install with a Constant Voltage LED driver.
4. Each maximum run requires a dedicated power feed from the driver.
DO NOT extend beyond the recommended maximum run length.
5. Make sure the appropriate gauge wire is installed between driver, LEDs, and any dimmers. When choosing wire, calculate voltage drop, maximum amperage rating, and the location ratings on the wire. Improper wire selection and installation could overheat wires and cause fire.
7. **DO NOT** modify product beyond instructions or warranty will be void.



Questions? Please contact us via info@bernal-led.com