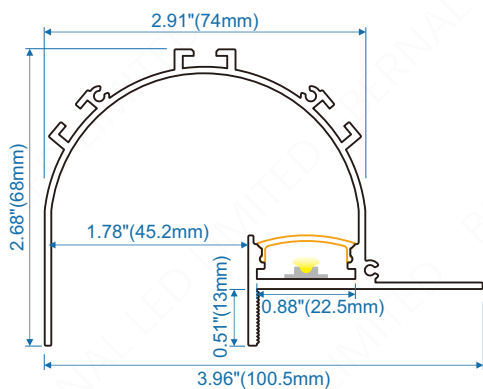
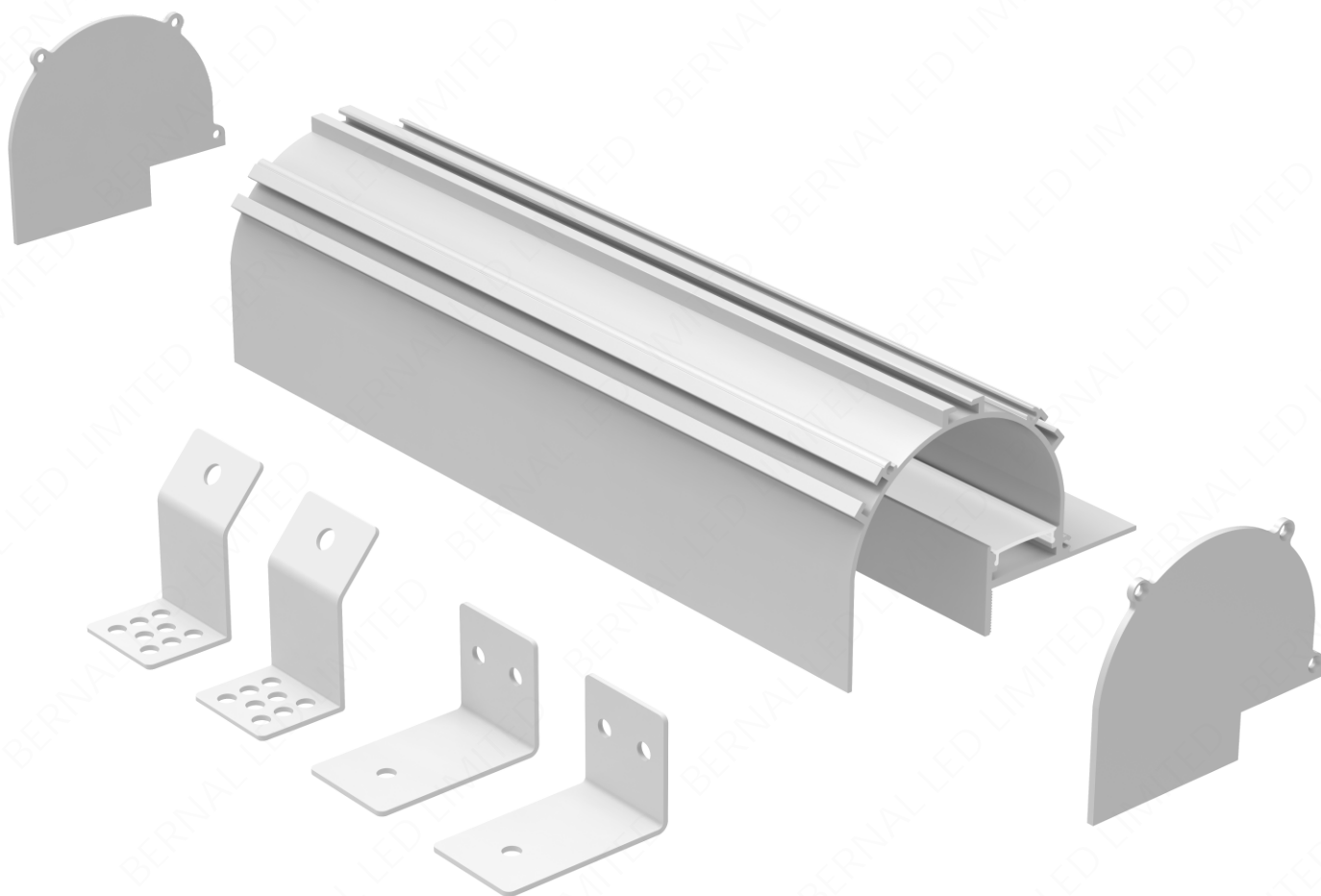


BPS1006801

ALUMINUM PROFILE

100x68mm Anodized Treatment



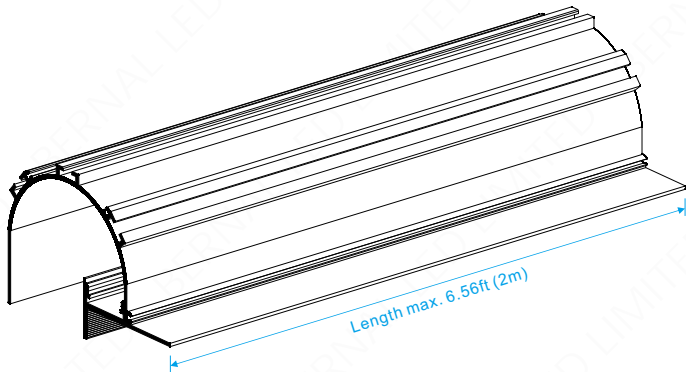
BPS1006801

ALUMINUM PROFILE

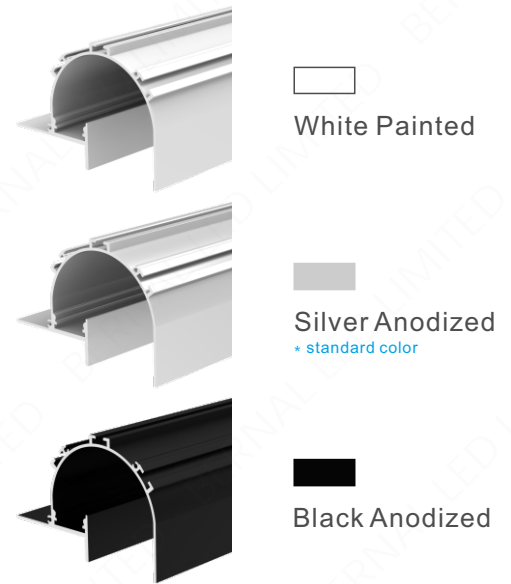
100x68mm Anodized Treatment



ALUMINUM PROFILE



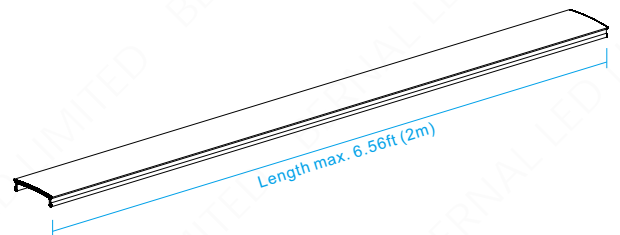
- ◆ Using High Quality 6063-T5 Aluminum as a material
- ◆ High Standard of anodizing aluminum surface
- ◆ International Standard Anodized Silver Color
- ◆ Heat Sink and physical protection to the LEDs
- ◆ Suitable for Max. 20mm width LED flexible strips
- ◆ Available length 1m, 2m, 2.5m, 3m, 4m



DIFFUSER

The milky color diffusers are capable of transmitting a large spread of the LED light. It is able to give a uniform brightness and is used as a cover for LED lights to eliminate or reduce the light points of the LEDs.

Color	Milky
Material	PC
Working Temperature	-50°C ~ 100°C
Light Transmission	86%
Coefficient Diffusion	Medium
Method of Assembly	Push in

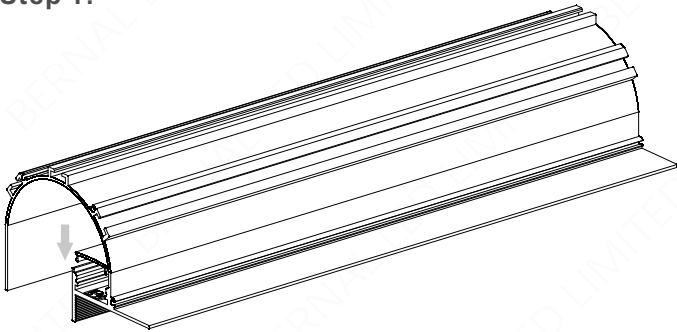


- Color:**
- 1.Transparent
 - 2.Milky (opal)
+ standard color
 - 3.Black

HOW TO INSTALL THE PROFILE?

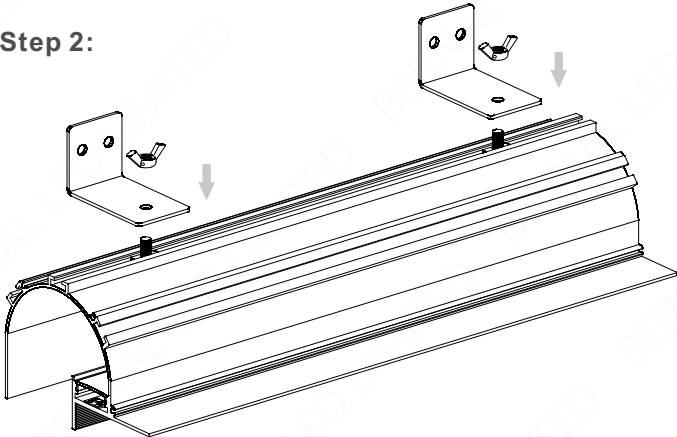
METHOD 1 - MOUNTING WITH 90 DEGREE CLIPS

Step 1:



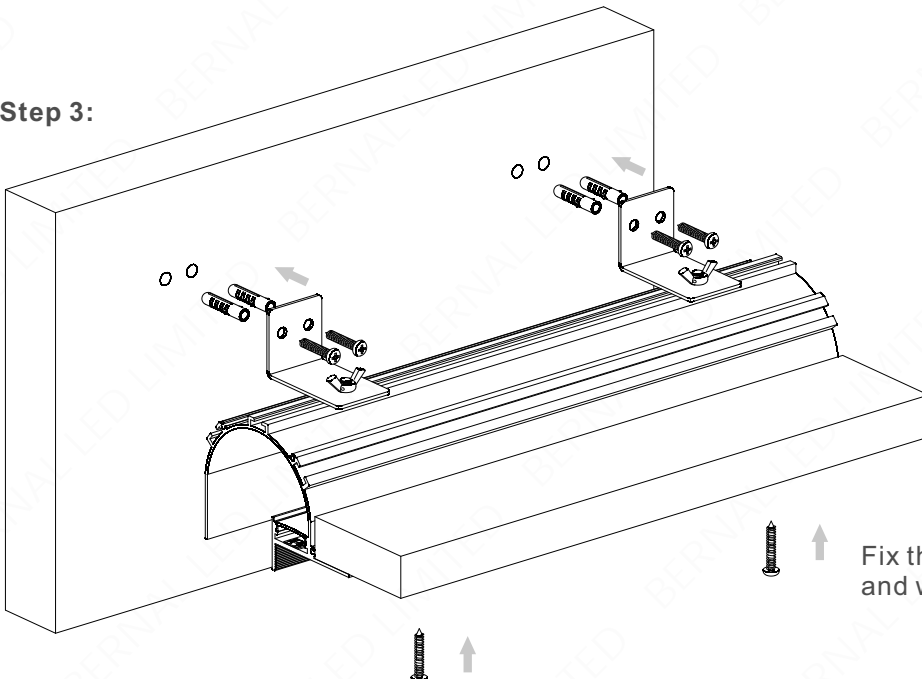
Stick led strips into the aluminum profile and Push the diffuser inside

Step 2:



Fix the clips on aluminum profile

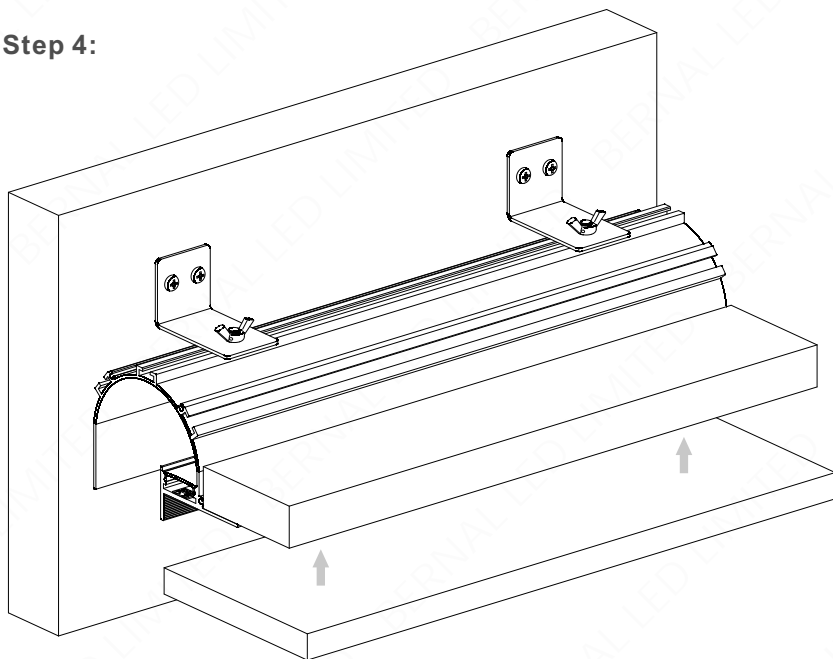
Step 3:



Fix the clips with aluminum profiles on the wall and wood frame.

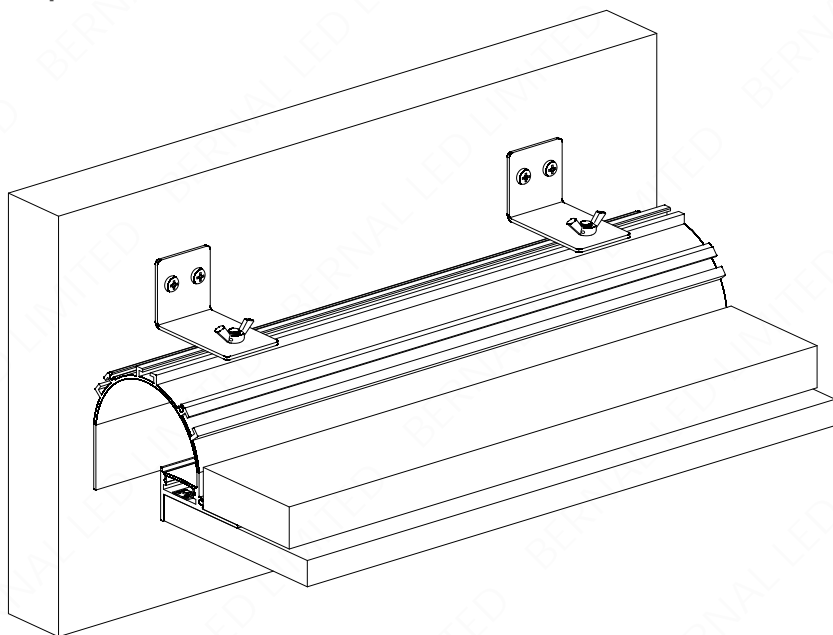
HOW TO INSTALL THE PROFILE?

Step 4:



Fix the ceiling plasterboard

Step 5:

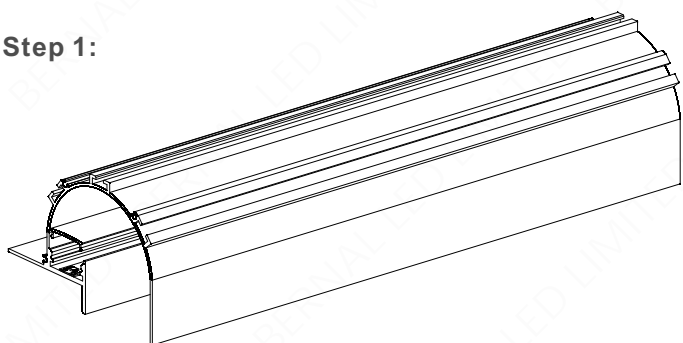


Paint the plaster and lacquer

HOW TO INSTALL THE PROFILE?

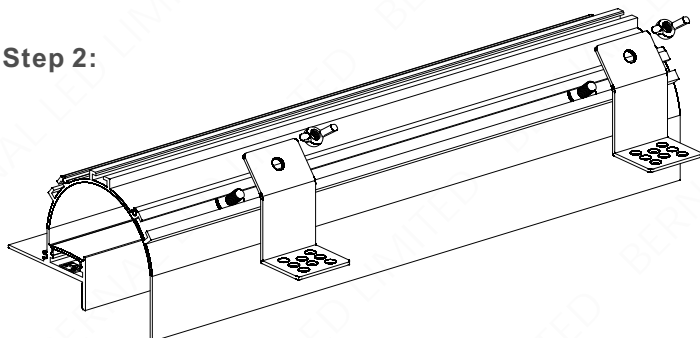
METHOD 2 - MOUNTING WITH 120 DEGREE CLIPS

Step 1:



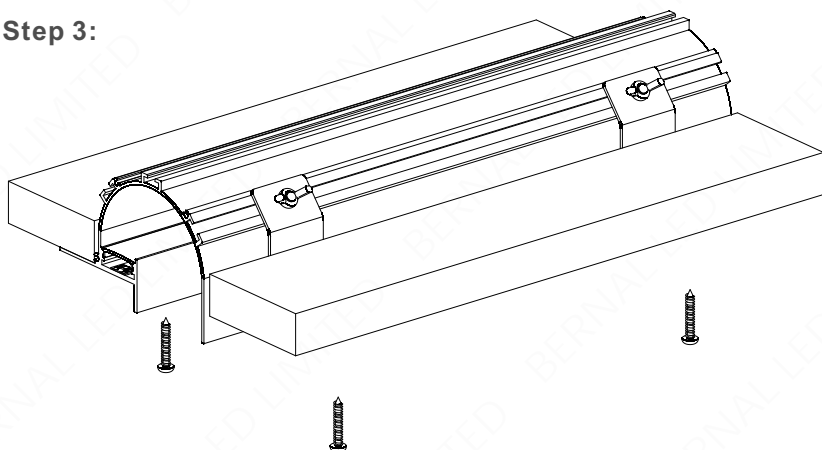
Stick led strips into the aluminum profile and Push the diffuser inside

Step 2:



Fix the clips on aluminum profile

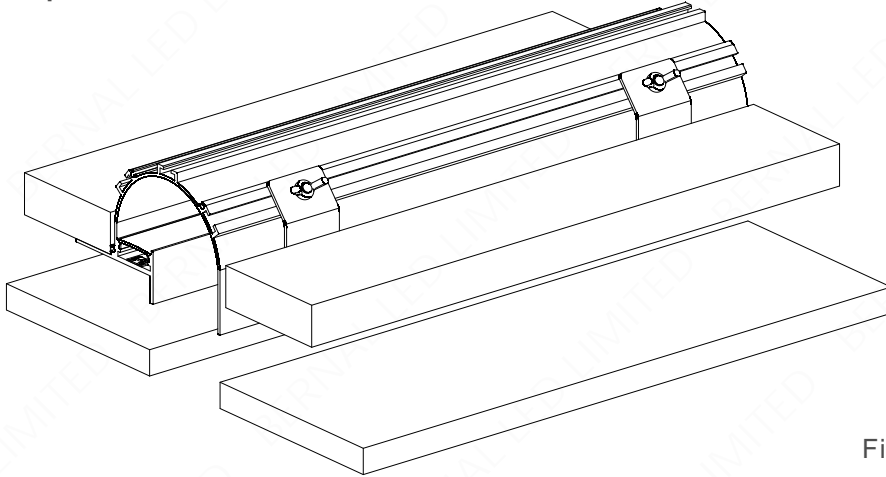
Step 3:



Fix the clips with aluminum profiles on wood frame.

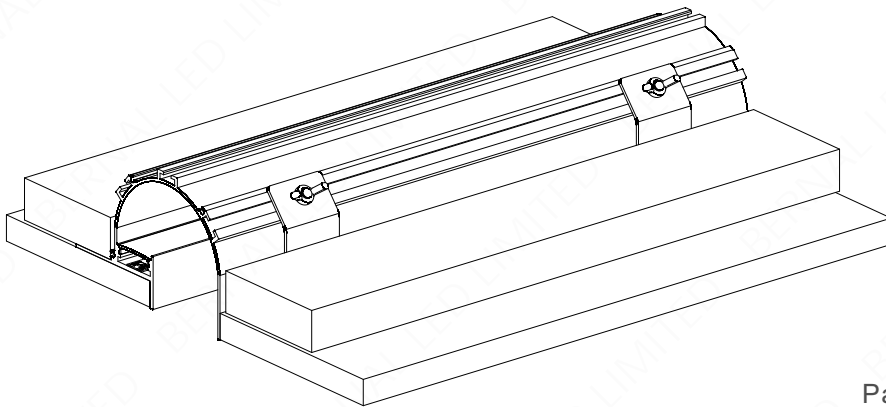
HOW TO INSTALL THE PROFILE?

Step 4:



Fix the ceiling plasterboard

Step 5:



Paint the plaster and lacquer