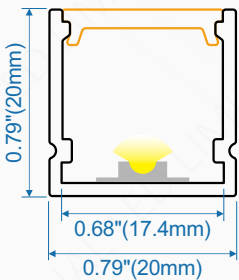
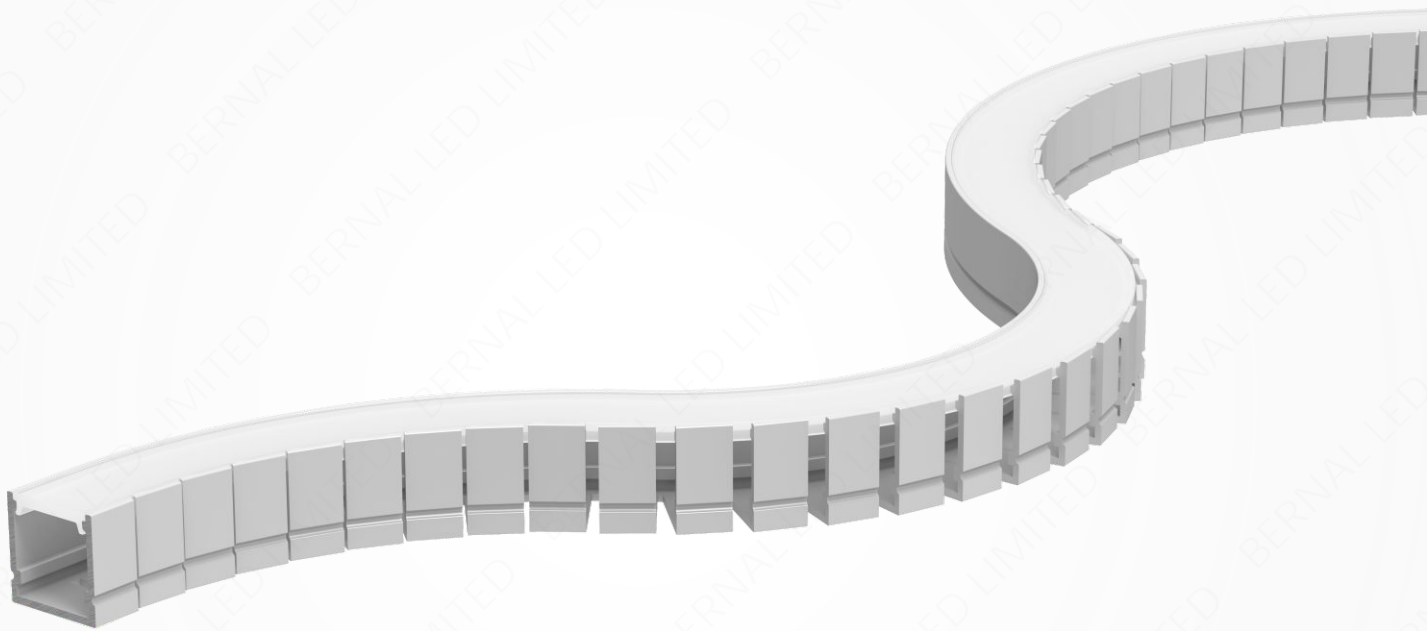


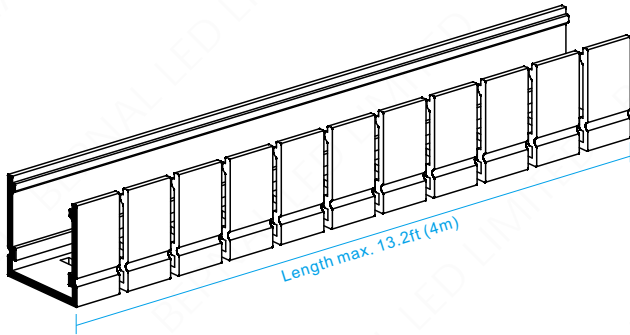
BPS202012

ALUMINUM PROFILE

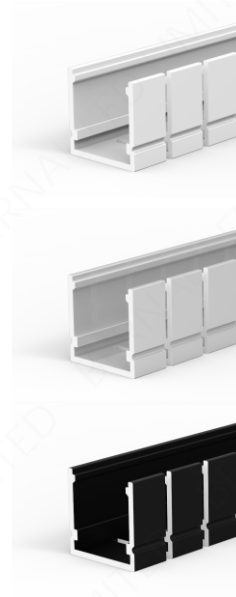
20x20mm Anodized Treatment



ALUMINUM PROFILE



- ◆ Using High Quality 6063-T5 Aluminum as a material
- ◆ High Standard of anodizing aluminum surface
- ◆ International Standard Anodized Silver Color
- ◆ Heat Sink and physical protection to the LEDs
- ◆ Suitable for Max. 17mm width LED flexible strips
- ◆ Available length 1m, 2m, 2.5m, 3m, 4m



White Painted



Silver Anodized
+ standard color



Black Anodized

DIFFUSER

The milky color diffusers are capable of transmitting a large spread of the LED light. It is able to give a uniform brightness and is used as a cover for LED lights to eliminate or reduce the light points of the LEDs.

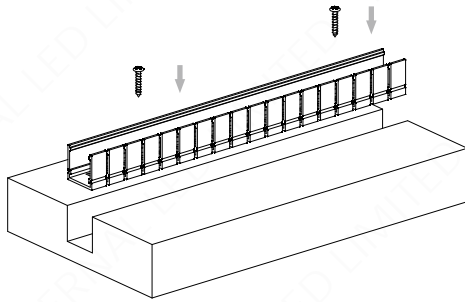
Color	Milky
Material	Silicon
Working Temperature	-50°C ~ 100°C
Light Transmission	78%
Coefficient Diffusion	Medium
Method of Assembly	Push in



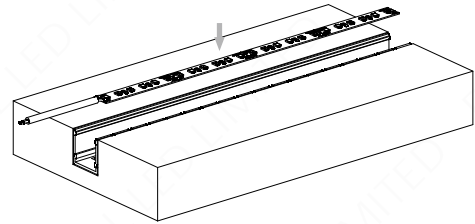
Color:

- 1.Transparent
- 2.Milky (opal)
+ standard color
- 3.Black

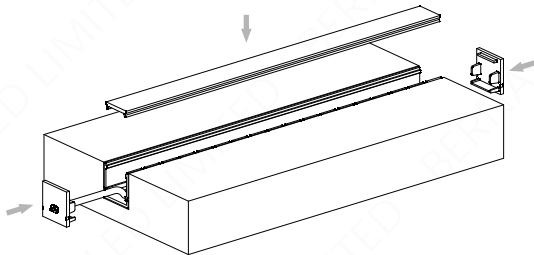
INSTALLATION



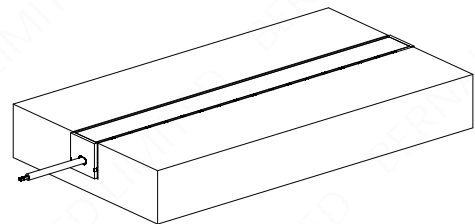
① Open a groove on plate based on the shape needed and fix the aluminum profile by screw.



② stick the LED flexible strips on aluminum profile



③ Press the silicon cover and end caps on aluminum profile.



④ Installation finished