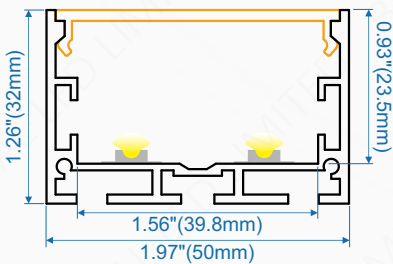
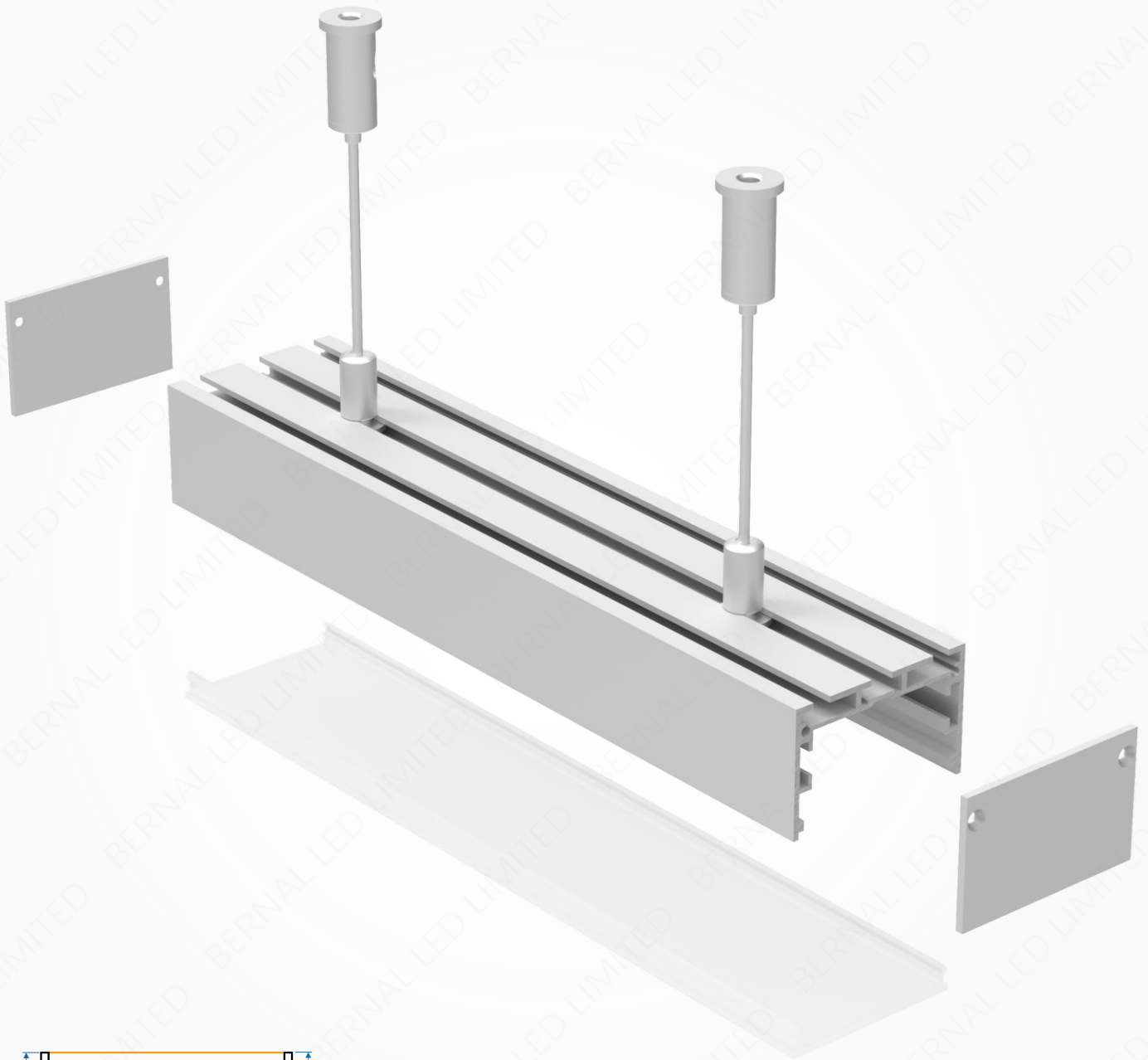


# BPS503203

ALUMINUM PROFILE

50x32mm Anodized Treatment



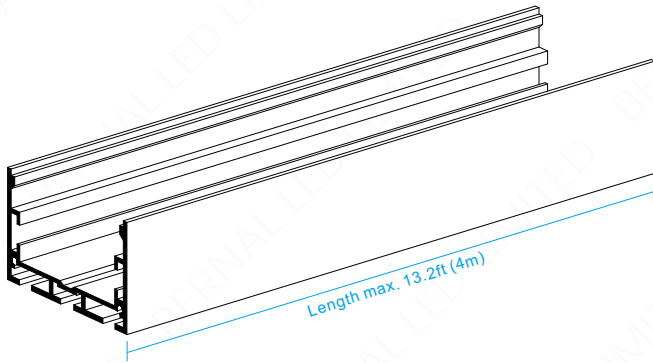
# BPS503203

50x32mm Anodized Treatment



ALUMINUM PROFILE

## ALUMINUM PROFILE



- ◆ Using High Quality 6063-T5 Aluminum as a material
- ◆ High Standard of anodizing aluminum surface
- ◆ International Standard Anodized Silver Color
- ◆ Heat Sink and physical protection to the LEDs
- ◆ Suitable for Max. 40mm width LED flexible strips
- ◆ Available length 1m, 2m, 2.5m, 3m, 4m



White Painted



Silver Anodized  
+ standard color

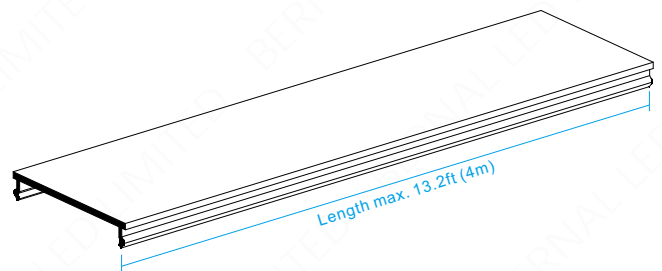


Black Anodized

## DIFFUSER

The milky color diffusers are capable of transmitting a large spread of the LED light. It is able to give a uniform brightness and is used as a cover for LED lights to eliminate or reduce the light points of the LEDs.

|                       |               |
|-----------------------|---------------|
| Color                 | Milky         |
| Material              | PC            |
| Working Temperature   | -50°C ~ 100°C |
| Light Transmission    | 86%           |
| Coefficient Diffusion | Medium        |
| Method of Assembly    | Push in       |

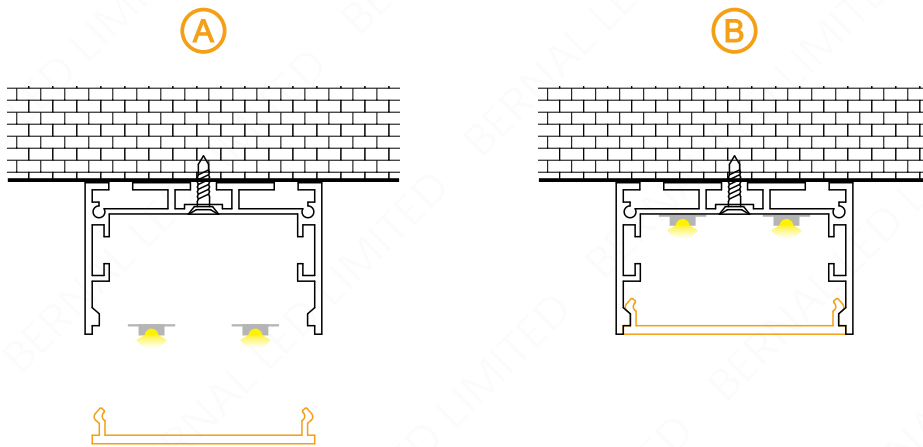


Color:

- 1.Transparent
- 2.Milky (opal)  
+ standard color
- 3.Black

## HOW TO INSTALL THE PROFILE?

### Way 1:



### Way 2:

