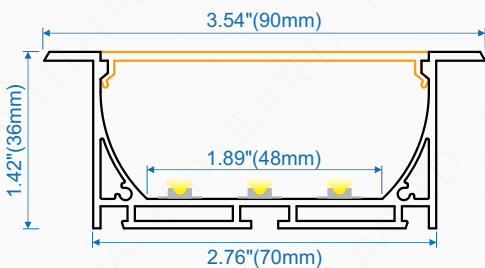
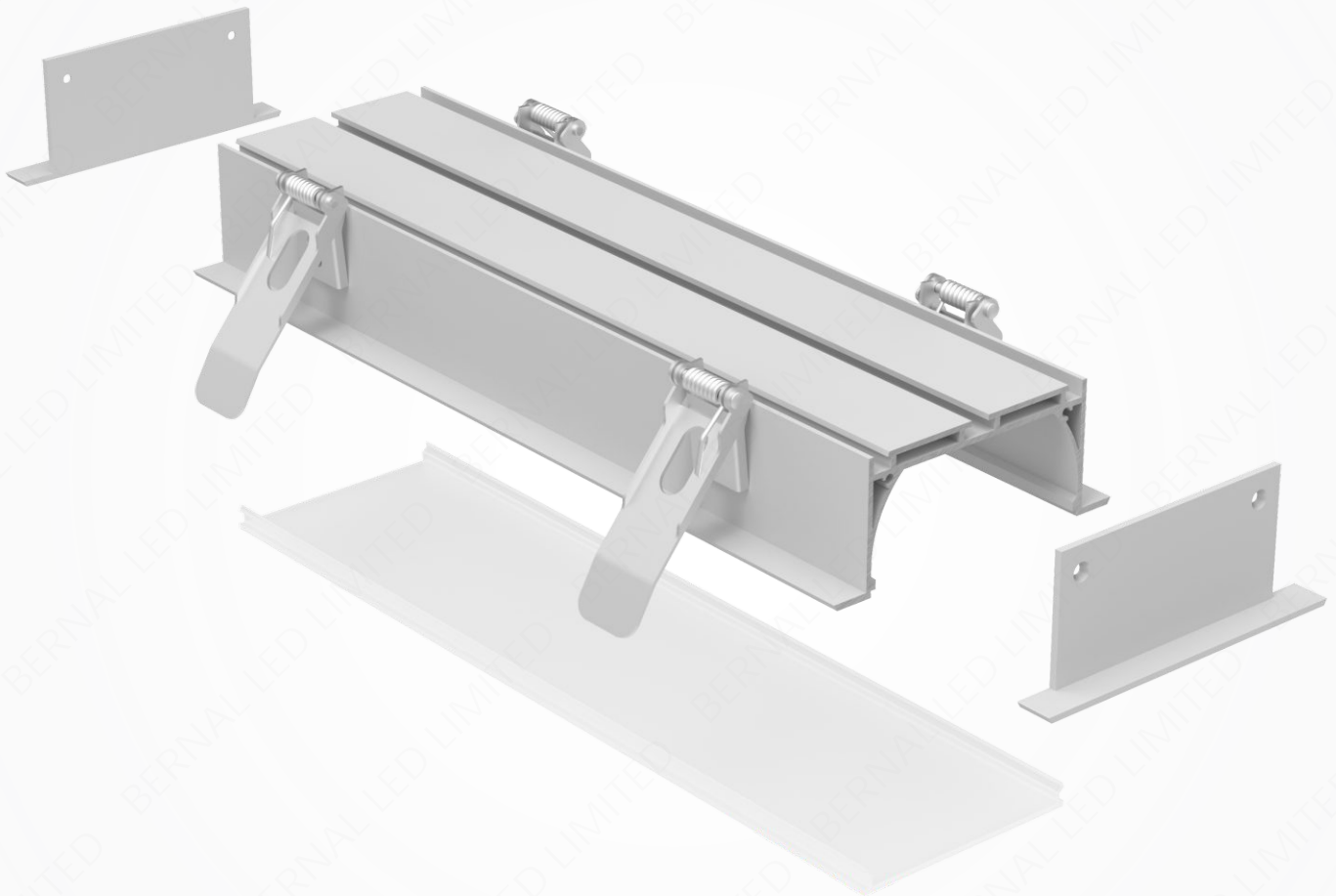


BPS703602

ALUMINUM PROFILE

90x36mm Anodized Treatment



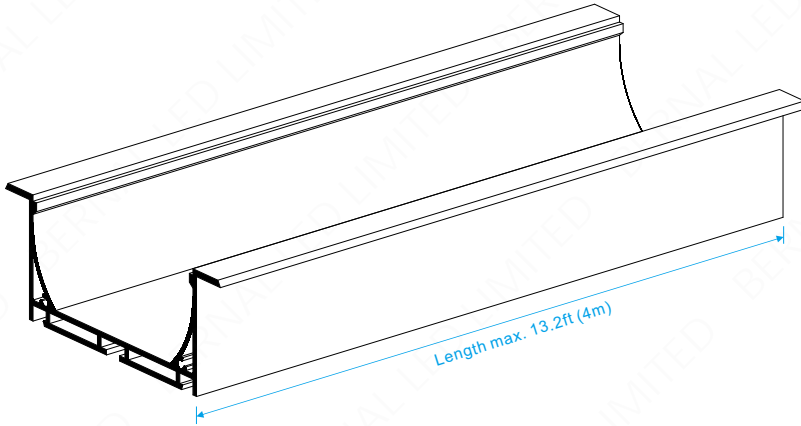
BPS703602

ALUMINUM PROFILE

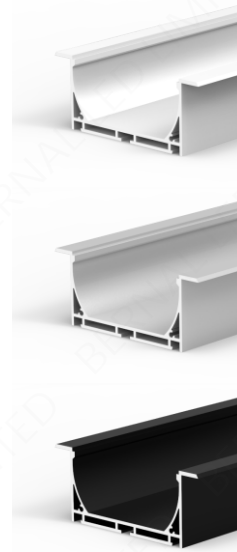
90x36mm Anodized Treatment






ALUMINUM PROFILE



- ◆ Using High Quality 6063-T5 Aluminum as a material
- ◆ High Standard of anodizing aluminum surface
- ◆ International Standard Anodized Silver Color
- ◆ Heat Sink and physical protection to the LEDs
- ◆ Suitable for Max. 48mm width LED flexible strips
- ◆ Available length 1m, 2m, 2.5m, 3m, 4m

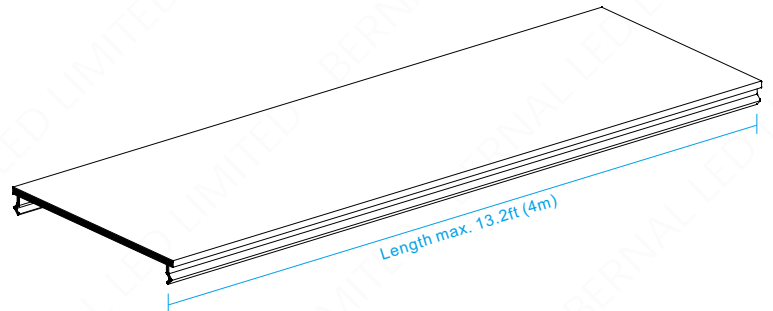


-  White Painted
-  Silver Anodized
+ standard color
-  Black Anodized

DIFFUSER

The milky color diffusers are capable of transmitting a large spread of the LED light. It is able to give a uniform brightness and is used as a cover for LED lights to eliminate or reduce the light points of the LEDs.

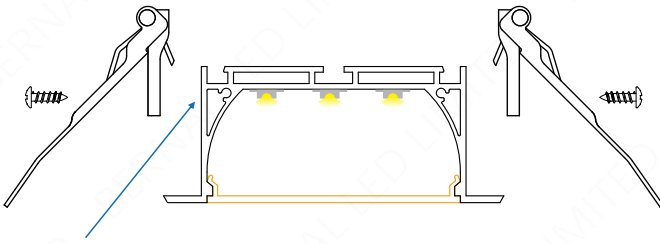
Color	Milky
Material	PC
Working Temperature	-50°C ~ 100°C
Light Transmission	86%
Coefficient Diffusion	Medium
Method of Assembly	Push in



- Color:**
- 1.Transparent
 - 2.Milky (opal)
+ standard color
 - 3.Black

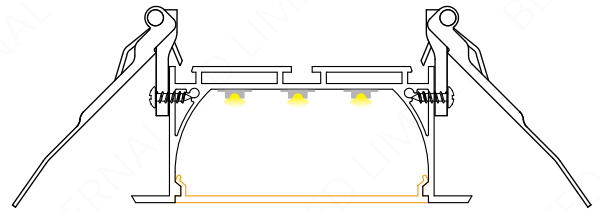
HOW TO INSTALL THE PROFILE?

A

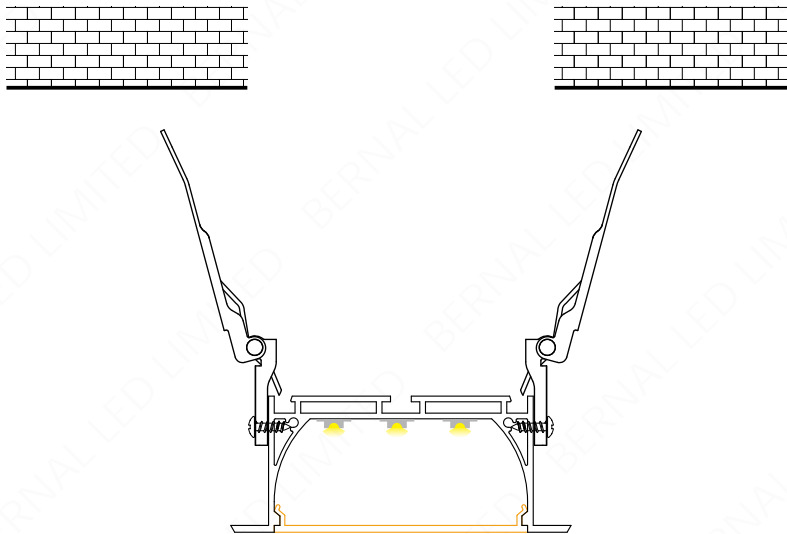


Drill a hole at the side of the aluminum profile

B



C



D

